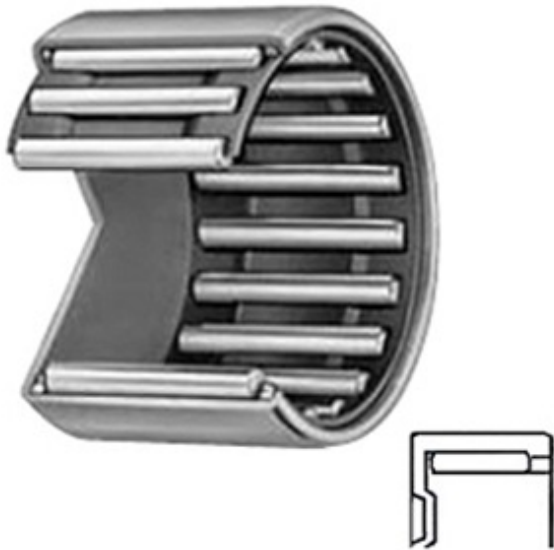




Shenyang Sharjah Bearing Co.,Ltd.



0.394 Inch | 10 Millimeter x 0.551 Inch | 14
 Millimeter x 0.591 Inch | 15 Millimeter IKO
 TLAM1015 Needle Non Thrust Roller Bearings

Bearing No. TLAM1015

TLAM1015 Bearing 2D drawings and 3D CAD models

Category	Needle Non Thrust Roller Bearings
Inventory	0.0
Manufacturer Name	IKO
Minimum Buy Quantity	N/A
Weight	0.005
EAN	4549557057717
Product Group	B04144
Rolling Element	Needle Roller Bearing
Component	Roller Assembly with Outer Ring - No Inner Ring
Enclosure	Open
Self Aligning	No
Retainer	Yes
Number of Rows of Rollers	Single Row
Separable	No
Closed End	Yes
Inch - Metric	Metric
Relubricatable	No
Thrust Bearing	No
Long Description	10MM Bore; 14MM Outside Diameter; 15MM Width; Needle Roller Bearing; Roller Assembly with Outer Ring - No Inner Ring; Open Enclosure; No Self Aligning; Retainer;



Shenyang Sharjah Bearing Co.,Ltd.

	Single Row of Rollers; No Separable; C
Other Features	1 Rib Outer Ring Drawn Cup Bearing
Category	Needle Non Thrust Roller Bearing
UNSPSC	31171512
Harmonized Tariff Code	8482.40.00.00
Noun	Bearing
Keyword String	Needle
Manufacturer URL	http://www.ikont.com
Manufacturer Item Number	TLAM1015
Weight / LBS	0.013
D	0.551 Inch 14 Millimeter
B	0.591 Inch 15 Millimeter
d	0.394 Inch 10 Millimeter